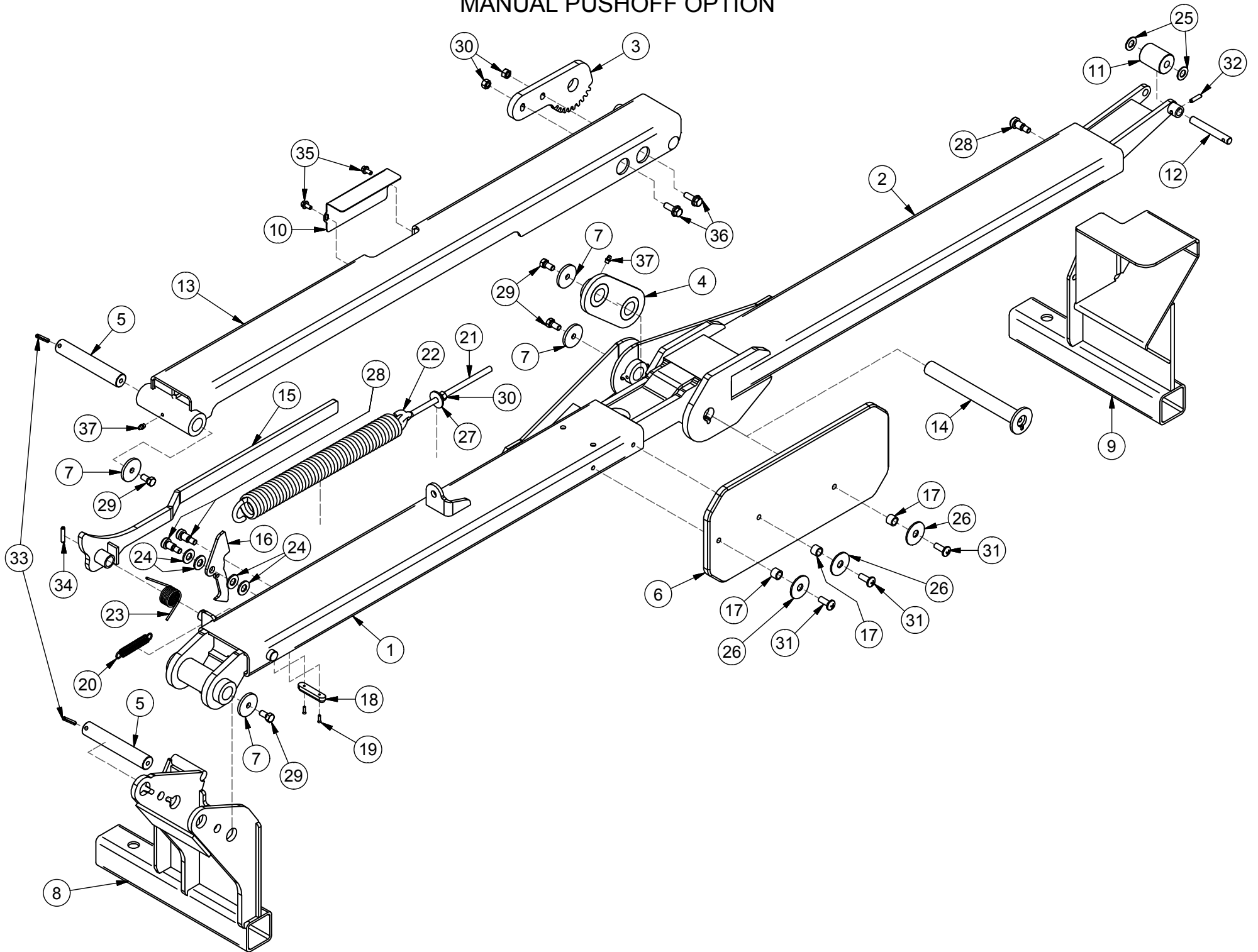


# TLMPO-5000 MANUAL PUSHOFF OPTION



TLMPO-5000  
MANUAL PUSHOFF OPTION

ITEM	QTY	PART NUMBER	DESCRIPTION
1	1	31186	Folding Pushoff Left Arm
2	1	31188	Folding Pushoff Right Arm
3	1	31192	Top Pushoff Arm Sprocket
4	1	31300	Folding Pushoff Arm Link
5	2	31301	Pushoff Pin
6	1	31302	Rubber Pushoff Pin
7	4	31303	Pin Endcap
8	1	31309	Folding Pushoff Left Base
9	1	31312	Folding Pushoff Right Base
10	1	31367	Spring Tension Access Cover
11	1	31369	Last Pushoff Roller
12	1	31385	Pushoff Roller Pivot Pin
13	1	31388	Folding Pushoff Guide Arm
14	1	31535	Pushoff
15	1	33231	Folding Pushoff Handle
16	1	36690	Folding Pushoff Latch
17	3	36942	Rubber Plate Spacer
18	1	PP-00685	Rubber Stop
19	2	PP-00686	Wood Screw, #6 x 5/8"
20	1	31395	Tension Spring
21	1	EB .375 x 6.0	Eye Bolt
22	1	TL550-100-069	Throttle Spring
23	1	33230	Torsion Spring
24	4	FW .5	Flat Washer
25	2	FW .5	Flat Washer
26	3	FW .5	Flat Washer
27	1	FW .375	Flat Washer
28	3	HB 0.5 x 0.625 SS	Socket Head Shoulder Screw
29	4	HB .375 x .75	Hex Bolt
30	4	HN .375	Hex Nut
31	3	MS.375-16 x 1	Machine Screw
32	1	RP 1/4 x 1	Roll Pin
33	2	RP 1/4 x 1 1/2	Roll Pin
34	1	RP 1/4 x 1 1/4	Roll Pin
35	2	HB .25 x 0.5	Hex Flange Screw
36	2	HB .375 x 1	Hex Flange Screw
37	7	GR.25X28	Grease Zerk