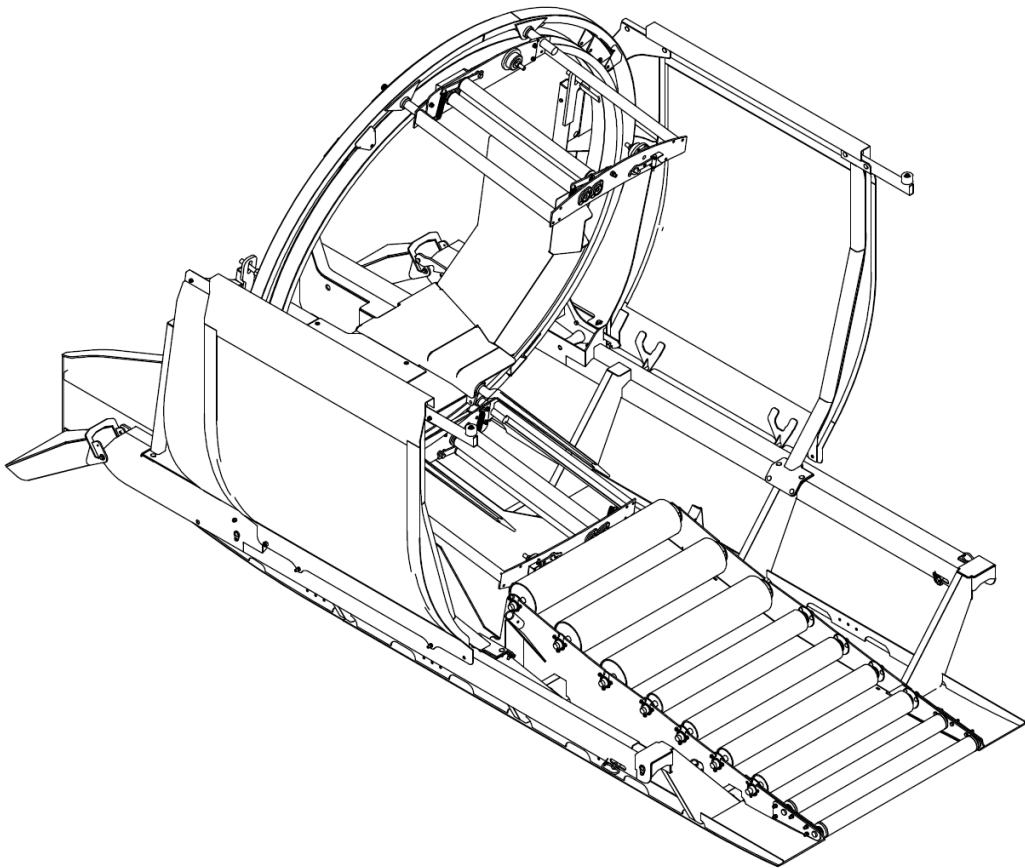


Tube-Line Baleliner 7800WX2

Parts Manual



Parts Manual

Thank you for choosing the Tube-line TL7800WX2. Our hope is that it will give you many years of productive service. This machine is designed to wrap a continuous line of round bales in a film of plastic.

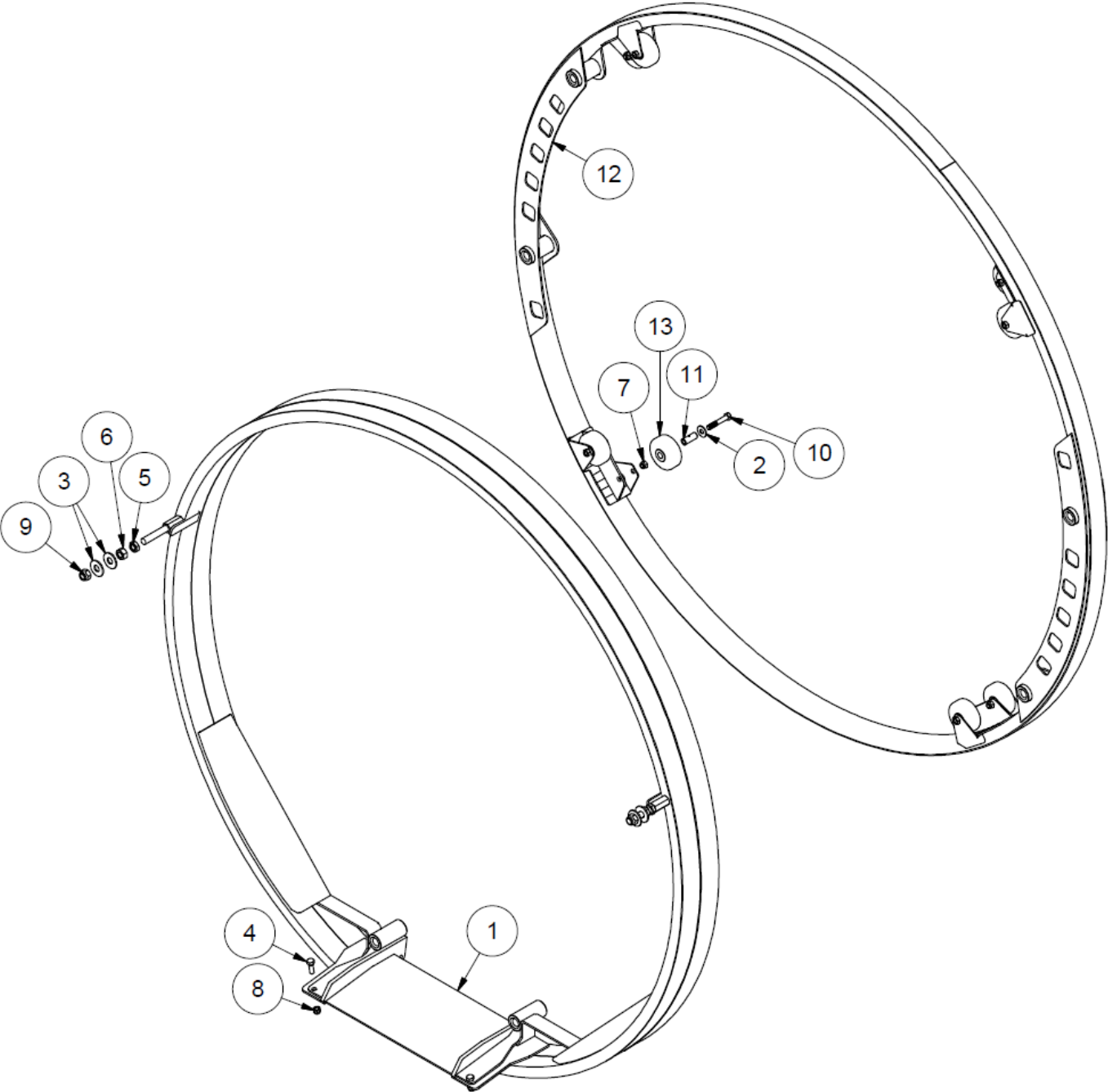
Please read and understand this manual and the machine before operation.

Warranty and Limitation of Liability

All Equipment is sold subject to mutual agreement that it is warranted by the company to be free from defects of materials and workmanship. But the company shall not be liable for special, indirect or consequential, damages of any kind under this contract or otherwise. The company's liability shall be limited exclusively to replacing or repairing without charge, at its factory or elsewhere, at its discretion. Any material, or workmanship defects which become apparent within one year from the date on which the equipment was purchased, and the company shall have no liability for damages of any kind. The buyer by the acceptance of the equipment will assume all liability for any damages, which may result from the use or misuse by his employees or others.

Warranty coverage is null and void unless Warranty Registration form has been completely filled in and is on file at Tube-Line Manufacturing Ltd.

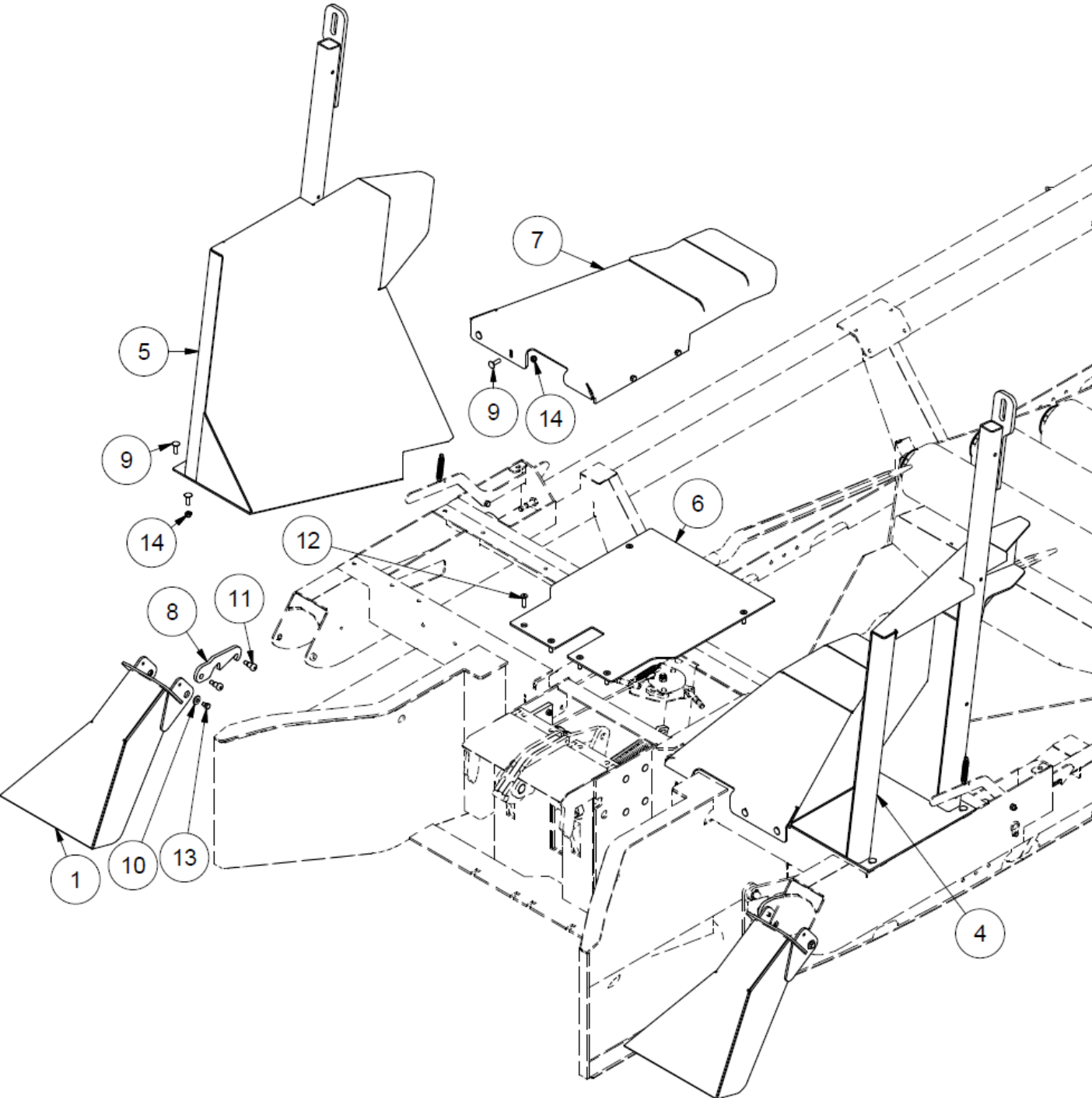
Hoop Assembly



Hoop Assembly

Item	Qty	Part #	Description
1	1	29105	Channel Hoop
2	8	Obtain Locally	FW 1/2 Flat Washer
3	4	Obtain Locally	FW 3/4 Flat Washer
4	2	Obtain Locally	HB 1/2 X 1 1/2
5	2	Obtain Locally	HJN 3/4 Hex Jam Nut
6	2	Obtain Locally	HN 3/4 Hex Nut
7	8	Obtain Locally	LN 1/2 Lock Nut UNF
8	2	Obtain Locally	LN 1/2 Lock Nut
9	2	Obtain Locally	LN 3/4 Lock Nut
10	8	TL500-100-015	Axle Bolt
11	8	TL550-200-016	Spanner
12	1	TL550-301-001	Outside Mesh Hoop
13	8	TL500-200-114	4" Hoop Wheel

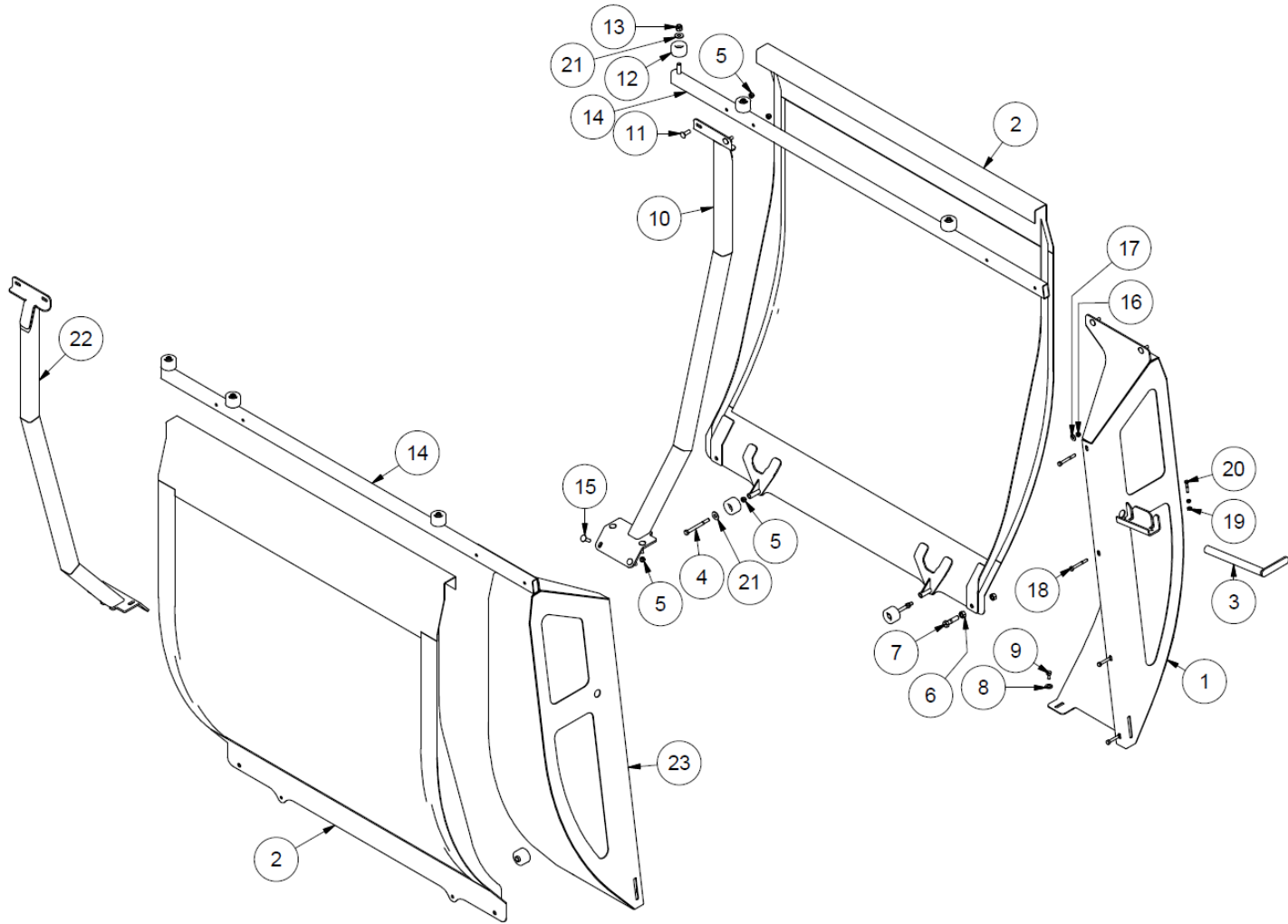
Front Assembly



Front Assembly

Item	Qty	Part #	Description
1	2	29108	Loading Ramp
2	1	29110	Right Roller Mount
3	1	29111	Left Roller Mount
4	1	29128	Left Hoop Brace
5	1	29131	Right Hoop Brace
6	1	29135	Center Floor Cover
7	2	29263	Wrapper Bed Side
8	2	29779	Loading Ramp Hook
9	28	Obtain Locally	CB 3/8 X 1 1/4 Carriage Bolt
10	4	Obtain Locally	FW 3/8 Flat Washer
11	4	Obtain Locally	HB 1/2 X 5/8 SS Socket Head Shoulder Bolt
12	6	Obtain Locally	HB 3/8 X 1 1/2 Flat Head Cap Screw
13	4	Obtain Locally	HB 3/8 X 1/2 Hex Bolt
14	39	Obtain Locally	LN 3/8 Lock Nut

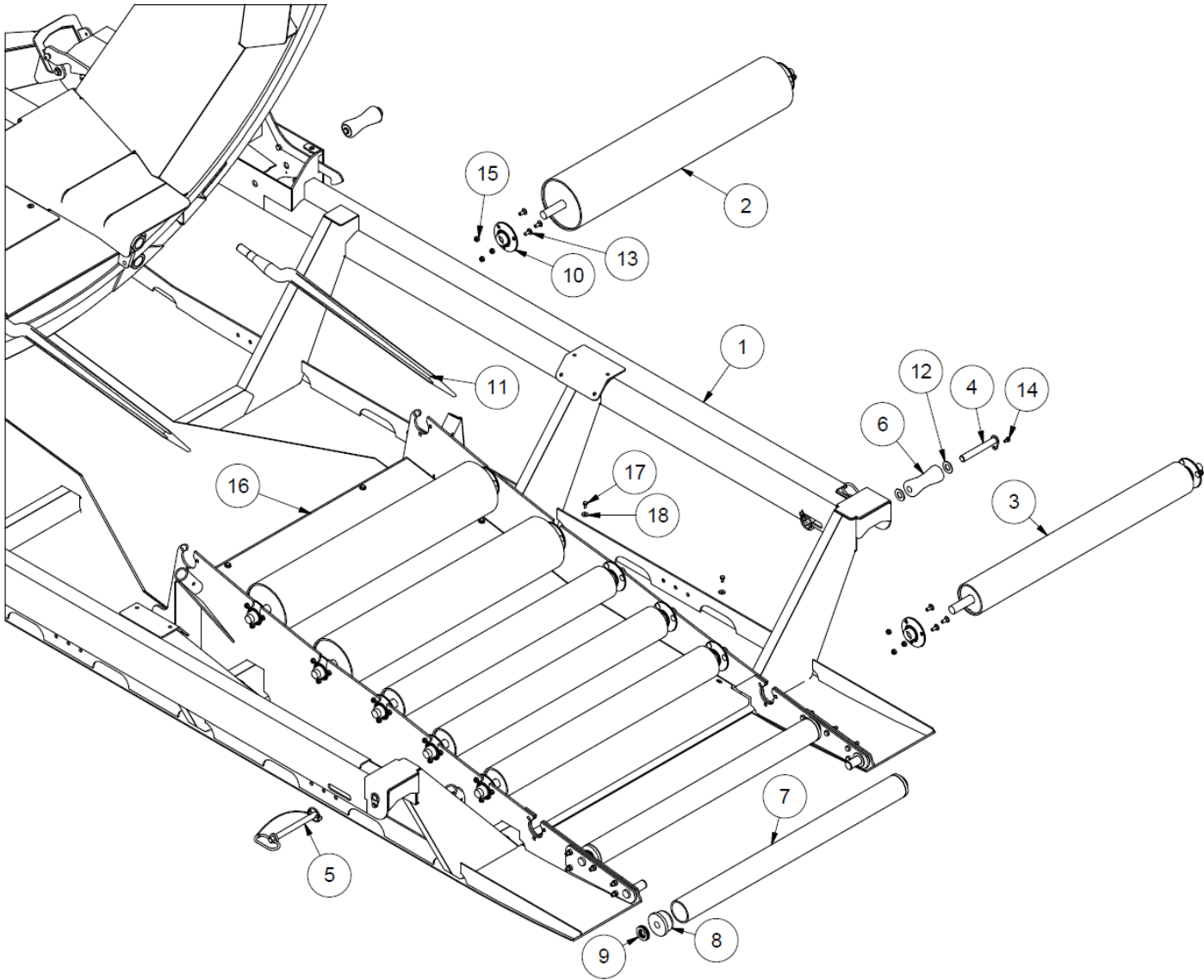
Door Assembly



Door Assembly

Item	Qty	Part #	Description
1	1	29129	Left Door Mount
2	2	29109	Door
3	1	TL109-100-306	Hoop Lock Pin
4	4	Obtain Locally	HB 3/8 X 4 Hex Bolt
5	20	Obtain Locally	LN 3/8 Lock Nut
6	4	Obtain Locally	HN 1/2 Hex Nut
7	2	Obtain Locally	HB 1/2 X 2 Hex Bolt
8	2	Obtain Locally	FW 7/16 Flat Washer
9	2	Obtain Locally	HB 3/8 X 3/4 Hex Bolt
10	2	29130	Left Rear Door Mount
11	8	Obtain Locally	CB 3/8 X 1 1/4 Carriage Bolt
12	20	TL559906	Door Rollers
13	12	Obtain Locally	LN 1/2 Lock Nut
14	2	29904	Top Door Track
15	8	Obtain Locally	CB 3/8 X 1 1/2 Carriage Bolt
16	8	Obtain Locally	LN 5/16 Lock Nut
17	8	Obtain Locally	FW 5/16 Flat Washer
18	8	Obtain Locally	HB 5/16 X 2 3/4 Hex Bolt
19	4	Obtain Locally	HN 1/4 Hex Nut
20	2	Obtain Locally	HB 1/4 X 1 1/2 Hex Bolt
21	16	Obtain Locally	FW 7/16 Flat Washer
22	2	29133	Right Rear Door Mount
23	2	29132	Right Door Mount

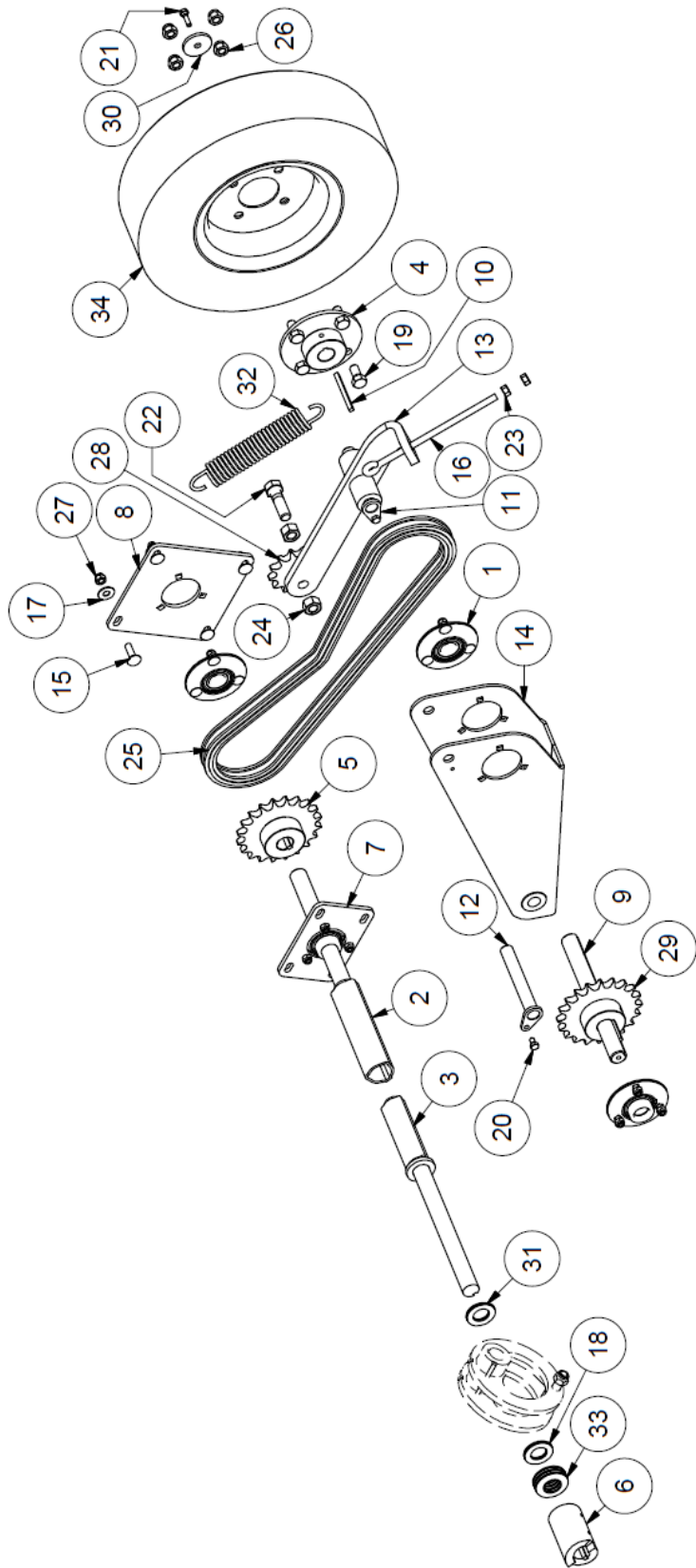
Roller Bed Assembly



Roller Bed Assembly

Item	Qty	Part #	Description
1	1	29112	Wrapper Base
2	3	TL500-100-086	Large Roller
3	4	TL500-100-099	Medium Roller
4	4	29003	Roller Pin
5	2	25522	Transport Pin
6	4	29295	Wrapper Roller
7	2	TL550-200-106	Last Roller
8	4	T650RL04	Small Roller Bearing
9	16	Obtain Locally	FW 1" Flat Washer
10	14	BEA PF205	Bearing
11	2	LA-MFE39	39" Bale Spear
12	8	Obtain Locally	FW 3/4 Flat Washer
13	42	Obtain Locally	CB 5/16 X 3/4 Carriage Bolt
14	4	Obtain Locally	HB 1/4 X 1/2 Hex Bolt
15	42	Obtain Locally	LN 5/16 Lock Nut
16	1	29773	Roller Deck Bed
17	8	Obtain Locally	HB 1/4 X 1/2 Hex Bolt
18	8	Obtain Locally	FW 1/4 Flat Washer

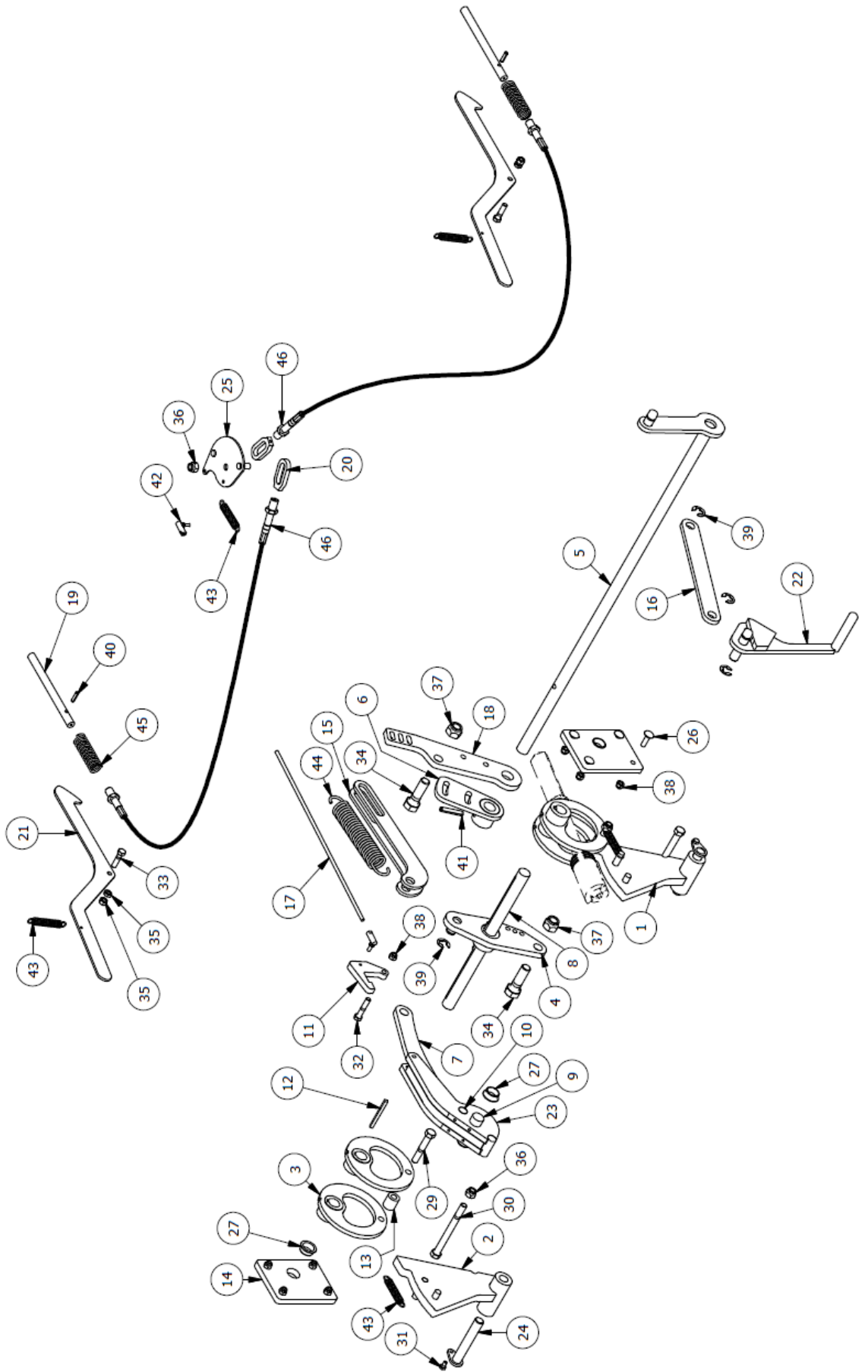
Hoop Drive Assembly



Hoop Drive Assembly

Item	Qty	Part #	Description
1	4		Collar Bearing
2	1	29115	Fixed Drive Shaft
3	1	29116	Sliding Drive Shaft
4	1	29123	Hoop Wheel Hub
5	1	29124	Hoop Drive Sprocket
6	1	29233	Drive Coupler
7	1	29309	Small Bearing Plate
8	1	29310	Large Bearing Plate
9	1	29318	Hoop Disengage
10	1	29380	Cam Plate Spacer
11	1	29902	Tightener Pin
12	1	29903	Hoop Drive Pivot Pin
13	1	29905	Drive Chain Tightener
14	1	29906	Hoop Wheel Mount
15	4	Obtain Locally	CB .375 X 1.25 Carriage Bolt
16	1	Obtain Locally	Eyebolt
17	4	Obtain Locally	FW .375 Flat Washer
18	2	Obtain Locally	Thrust Washer
19	4	Obtain Locally	HB .5 X 1 Hex Bolt
20	2	Obtain Locally	HB .25 X .5 Hex Bolt
21	1	Obtain Locally	HB .25 X 1 Hex Bolt
22	1	Obtain Locally	HB .625 X 2.25 Hex Bolt
23	2	Obtain Locally	HN .375 Hex Nut
24	2	Obtain Locally	HN .625 Hex Nut
25	1		Hoop Drive Chain
26	5	Obtain Locally	LN .5 Lock Nut
27	4	Obtain Locally	LN .375 Lock Nut
28	1		Roller Chain Sprocket
29	1	SPR60B201	Sprocket
30	1	TL500-100-060	Wheel Hub Washer
31	4	Obtain Locally	
32	1		Spring
33	6	Obtain Locally	
34	1	TL500-100-152	Hoop Drive Wheel

Locking Linkage Assembly



Locking Linkage Assembly

Item	Qty	Part #	Description
1	1	29117	Right Floater Lock
2	1	29118	Left Floater Lock
3	4	29125	Floater Lock Cam
4	1	29126	Hoop Engage Linkage
5	1	29136	Lockup Link
6	1	29140	Lockup Link Spring Mount
7	1	29237	Engaging Link
8	1	29238	Cam Shaft
9	1	29244	Hoop Trigger Pin
10	1	29248	Spring Pin
11	1	29296	Film Sensor Plate
12	4	29371	Sliding Coupler Key
13	2	29380	Cam Plate Spacer
14	2	29387	Cam Shaft Pivot Plate
15	2	29701	Trigger Lock Linkage
16	1	29705	Trigger Lock Linkage
17	1	29715	Door Switch Linkage
18	1	29719	Bale Trigger Tensioner
19	2	29725	Door Safety Pin
20	2	29747	Door Safety Cable End
21	2	29790	Door Latch
22	1	29900	Lockup Handle
23	1	29901	Bale Trigger
24	2	29902	Pin
25	1	29907	Door Safety Latch
26	8	Obtain Locally	CB 3/8 X 1 1/4 Carriage Bolt
27	4	GFI-1618-08	Plastic Bushing
28	2	GTI-1628-01	Thrust Washer
29	2	Obtain Locally	HB 1/2 X 3 Hex Bolt
30	2	Obtain Locally	HB 1/2 X 5 1/2 Hex Bolt
31	2	Obtain Locally	HB 1/4 X 1/2 Hex Bolt
32	1	Obtain Locally	HB 3/8 X 2 Hex Bolt
33	2	Obtain Locally	HB 3/8 X 1 1/2 Hex Bolt
34	2	Obtain Locally	HB 3/4 X 2 1/2 Hex Bolt
35	4	Obtain Locally	HN 3/8 Hex Nut
36	5	Obtain Locally	LN 1/2 Lock Nut
37	2	Obtain Locally	LN 3/4 Lock Nut
38	9	Obtain Locally	LN 3/8 Lock Nut
39	4	Obtain Locally	RR 3/4 Retaining Ring
40	4	Obtain Locally	SP 1/4 X 1 Spring Pin
41	1	Obtain Locally	SP 3/8 X 2 Spring Pin
42	2	TL550-100-065	Ball Joint
43	5		Spring
44	1		Spring
45	2		Spring
46	2		

TUBE•LINE™
MANUFACTURING LTD