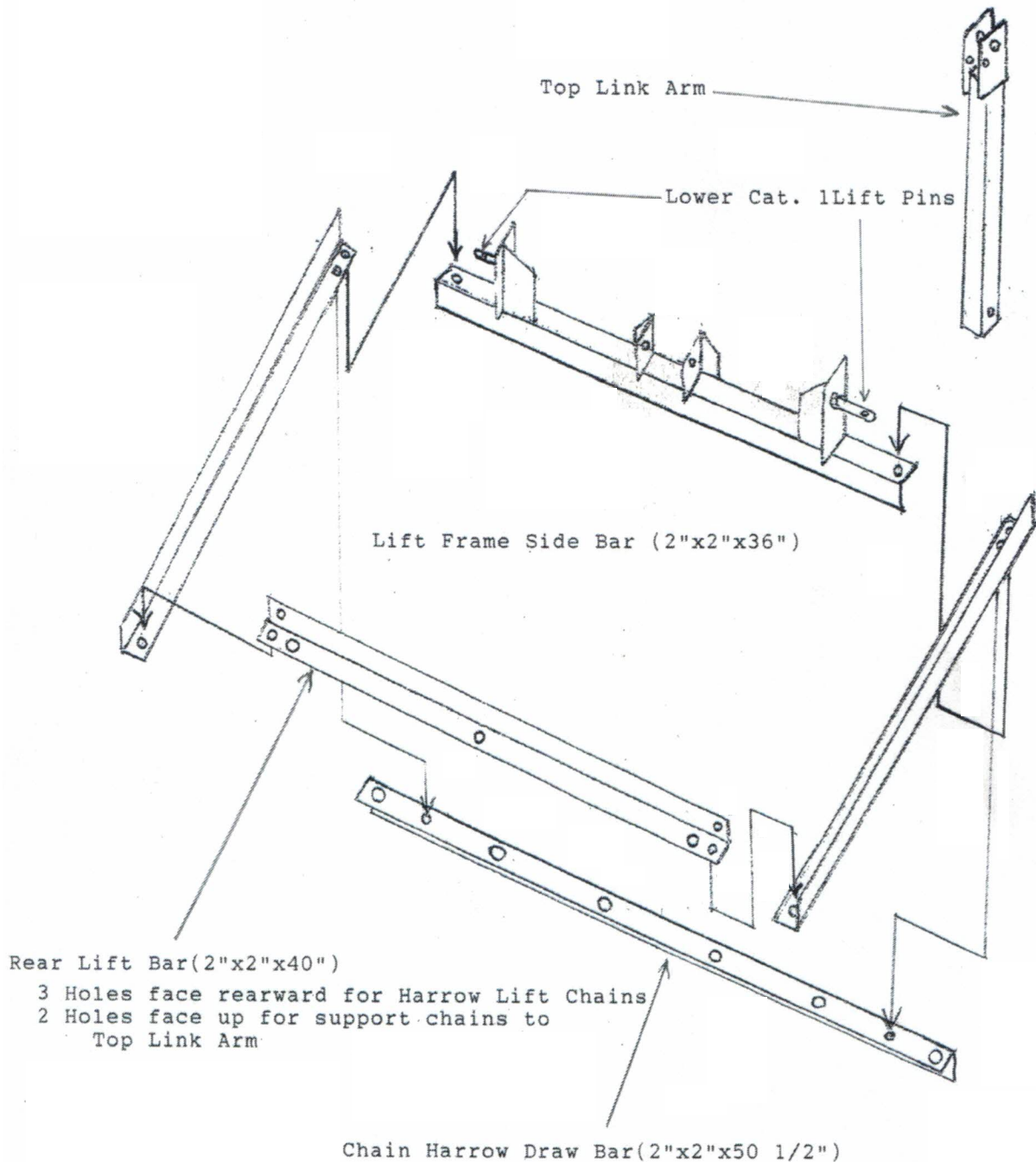


Estate Harrow 3 Point Lift Assembly



- 1 Lay Harrow out flat
- 2 Remove chain hitch from drawbar
- 3 Set assembled lift frame on top of the Harrow
- 4 Attach drop chains to the Harrow directly under where drop chains attach the frame
- 5 Attach lower 3 point lift pins to lift arms
- 6 Attach vertical bar to top link
- 7 The Harrow, in working position, should be parallel to the ground with clearance between the Harrow and the frame
- 8 Adjustments may be needed between 2 chains from back bar to top link, and/or the tractors adjustable top links

